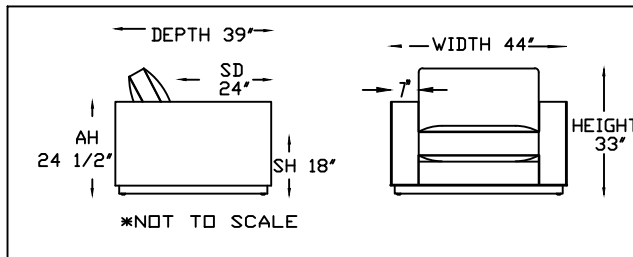
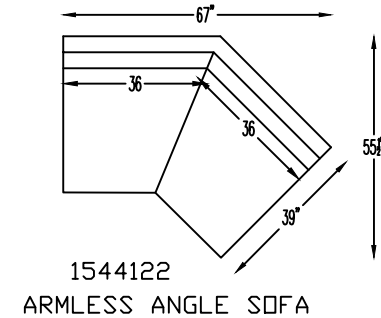
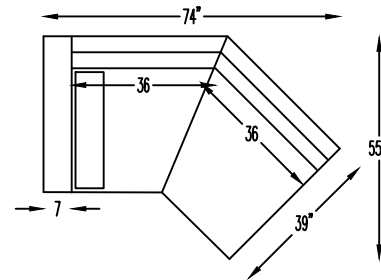
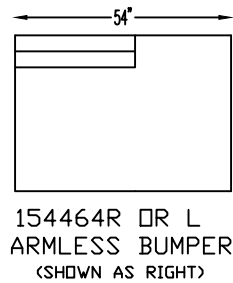
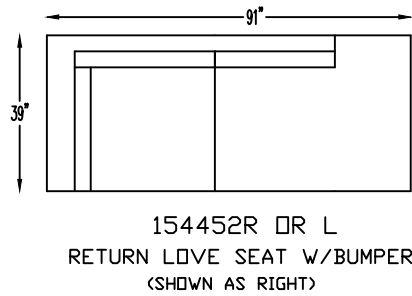
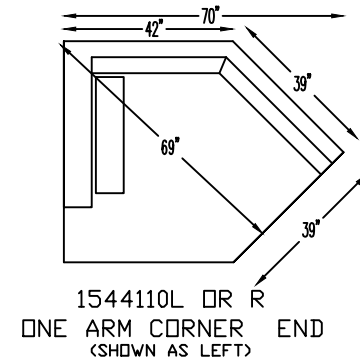
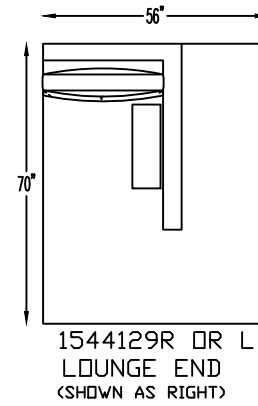
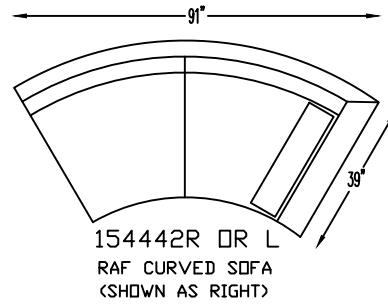
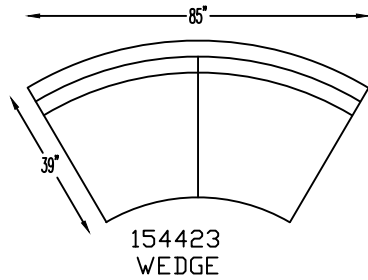




JENSEN 1544



Scale: 1/4" = 1'-0"

This schematic is current as of July 11, 2023. Lazar reserves the right to change dimensions and/or products offered. A more recent schematic may be available for this series at www.lazarind.com

*NOTE: L or R is determined by facing the piece.